

**REVIEW ALL INSTRUCTIONS COMPLETELY BEFORE ATTEMPTING INSTALLATION**

**GENERAL NOTES:**

- Instructions are intended for trained door systems technicians using proper tools and equipment.
- The terms “closure” and “closures” apply generally to folding closures. If an instruction refers to a specific type, it will be noted as such.
- Fasteners are not provided. Refer to “FASTENER SCHEDULE” for suggested fasteners.

**NOTE:** The entire weight of the closure is supported by the top track. The structure supporting the top track and the fasteners must be adequate for the size and total weight of the closure at any point along its travel. Wall construction must be adequate to provide for proper attachment of the wall strike and fixed rear post if provided.

**INSTALLATION:**

- 1) Measure the opening and verify that the closure size is correct for the opening. If it is not correct, contact the factory for further instruction.
- 2) Inspect the supporting structure for the top track to ensure it is adequate to support the closure weight. Structural supports must run the entire length of the track.
- 3) Mark the top track location on the supporting structure. Maintain clearance for the folded closure by allowing at least 4” from the centerline of the track to any point around the track. (5” minimum clearance is recommended around curved tracks.)

**NOTE:** If necessary, file the ends of each track section to remove burrs for proper connection and free movement of the rollers. If it is necessary to trim the track length, field cuts must be square and straight.

- 4) Install the first section of the top track at the rear of the pocket (stacking area) first.

**NOTE:** Depending on the load capacity of the fasteners used, additional fasteners may be necessary to carry the concentrated load of the stacked closure in the pocket (stacking area).

**NOTE:** Track sections must be connected together. Insert connection plate and connection pins half-way into each adjoining track section.

- 5) Continuing from the first track section, slide the connection plate/pins of the second (subsequent) track section into the first (prior) track section until the ends of the tracks are together. Align sections of straight tracks and verify the fit of curved tracks prior to their attachment to the supporting structure.

**NOTE:** Layout, but do not install, the last straight track section until the curtain is loaded. Depending on track configuration and site conditions, it may be necessary to slide plates/pins all the way into the end(s) of the last track section, and then slide them half-way into the adjoining track(s) after the last track section is fastened in place.

- 6) Stand the curtain with the bottom edge resting on the floor. Feed the curtain rollers into the open end of the top track section so the rear post loads towards the pocket (stacking area).

**NOTE:** If the curtain is in multiple sections, load the curtain sections according to their noted order. Check the intermediate or floating post types and lock position for proper orientation. Do not connect intermediate posts together prior to loading all the curtain sections into the track.

- 7) Connect intermediate posts by “snapping” the extrusions together. Align the pre-drilled holes at the top and bottom of the posts, and attach with the 1/8” rivets provided.
- 8) Install the remaining track section(s). Check all track joints for proper alignment and verify all connection plates/pins are installed and extend half-way into each track section. Roll the curtain past all track joints to verify smooth operation.

9) **For closure with tailing rear post(s):**

**SINGLE CLOSURE** – Stretch the curtain across the opening so it touches the wall. Position the rear post as far back into the pocket as possible without tensioning the curtain. Locate the floor stop with the closed end of the “V” directly below the stop bar (extending from the bottom of the rear post). Flare the open ends of the “V” equally to span the pocket width, and attach the floor stop to the floor. Using the screws on the back of the rear post tailing plate, adjust the stop bar so it drops down behind the floor stop without allowing it to touch the floor.

**BI-PARTING CLOSURE** – Stretch the curtains across the opening until they meet and lock them together. Position the rear posts as far back into the pockets as possible without tensioning the curtains. Locate each floor stop with the closed end of the “V” directly below the stop bar (extending from the bottom of the rear post). Flare the open ends of the “V” equally to span the pocket width, and attach the floor stop to the floor. Using the screws on the back of the rear post tailing plate, adjust the stop bar so it drops down behind the floor stop without allowing it to touch the floor.

**For closure with fixed rear post(s):**

- 10) Attach the rear post end cap(s) to the wall(s) through the pre-drilled holes. Connect the rear post(s) to the end cap(s) by “snapping” the extrusions together. Align the pre-drilled holes at the top and bottom of the rear post(s), and attach with the 1/8” rivets provided. Skip to step 11.

11) Push the curtain to the back of the pocket. Mark the track directly above the closed end of the floor stop. Position the ceiling stop, mark and drill a hole through the top of the top track, and install the ceiling stop into the track. Pull the curtain out of the pocket and verify that the rear bar engages the ceiling stop and the floor stop.

12) Close the curtain so the lead post is at the opposite wall (or receiving post of a bi-parting curtain).

**SINGLE CLOSURE** – Set the wall strike against the wall in alignment with the lead post and top track above. Level the wall strike and attach it to the wall through the pre-drilled holes. Drill a 3/8” hole approximately 1” deep into the wall, located as necessary to allow the lock pin to securely engage the wall strike. Lock the lead post to verify alignment.

**BI-PARTING CLOSURE or CLOSURE WITH FLOATING POST(S)** –

- a) Position the curtain so it is evenly stretched across the opening.
- b) Level the receiver post (with strike and bottom lock) or floating post (with top and bottom lock). Move the bottom lock lever down until the lock rod touches the floor. Mark the spot, release the lock, move the curtain, and drill a 3/4” hole straight down approximately 3” deep into the floor. Clean the hole and insert the floor strike. Move the curtain back into position and engage the bottom lock.
- c) *If there is a top lock*, level the post again. Push the top lock up firmly until it hits the inside of the track. Repeat several times until there is a clear mark. Unlock the bottom lock, move the curtain, and drill a 1/2” hole straight up approximately 1” deep through the top track and into the supporting structure. Carefully clear any debris from the track.
- d) Lock and unlock all locks several times to verify alignment. If the lock rods stick, the holes into the floor or top track/support may not be straight. Do not to jam the lock rods all the way into the holes when testing. Make any adjustments necessary.

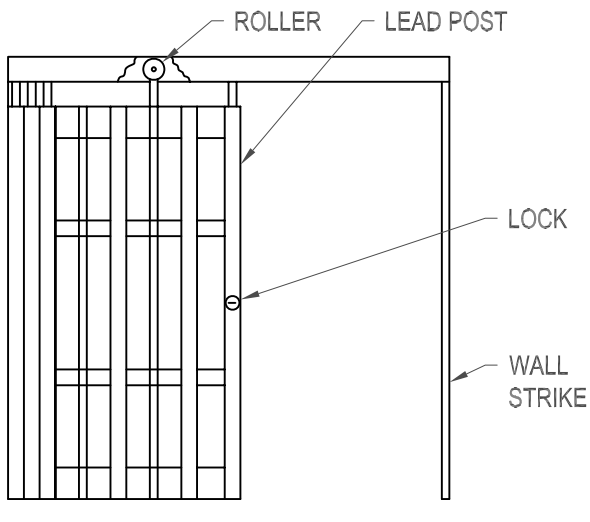
13) Lock the lead post and position intermediate posts so the curtain is evenly stretched across the opening, making sure the curtain is not over tensioned. Move the lock knobs on each intermediate post downward until the lock rods hit the floor. Mark all spots. Unlock and open the curtain. Drill 3/4” holes straight down approximately 3” deep into the floor. Clean the holes and insert the floor strikes. Move the curtain back into position and engage the bottom locks. Verify alignment and make any adjustments necessary.

14) Upon completion of installation, open and close the curtain several times to verify rollers operate freely, the rear post/wall strike are secure, and all locks operate properly. Make any adjustments necessary.

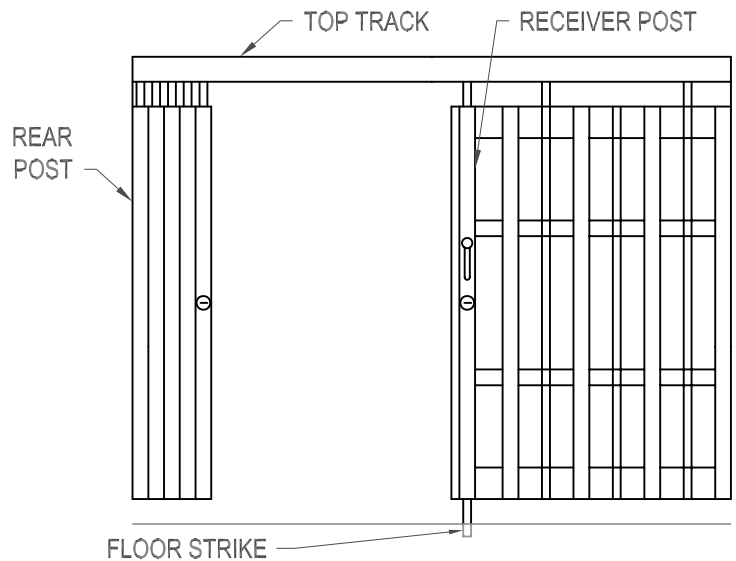
### FASTENER SCHEDULE

SUPPORTING CONSTRUCTION	SUGGESTED FASTENER	MINIMUM SIZE
Wood	Wood screw, pan or flat head	#10 x 1 1/2”
Metal stud (not recommended for track )	Sheet metal screw, pan or flat head	#10 x 1”
Concrete, filled CMU	Sleeve anchor, flat head	1/4” x 2”
Structural steel	Self-tapping or machine screw, flat head	3/16” x 1”

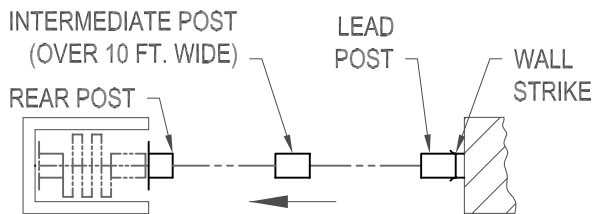
**NOTE:** If flat head fasteners are used, it will be necessary to countersink holes in the field.



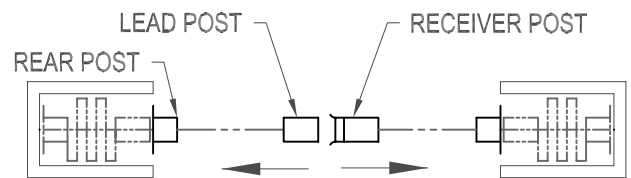
SINGLE CLOSURE



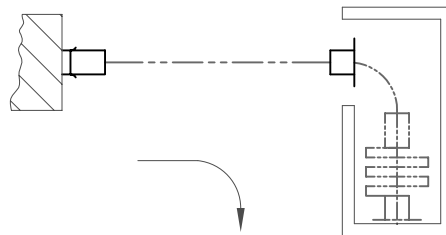
BI-PARTING CLOSURE



SINGLE CLOSURE  
STRAIGHT TRACK  
(LEFT STACK SHOWN -  
RIGHT STACK OPPOSITE)

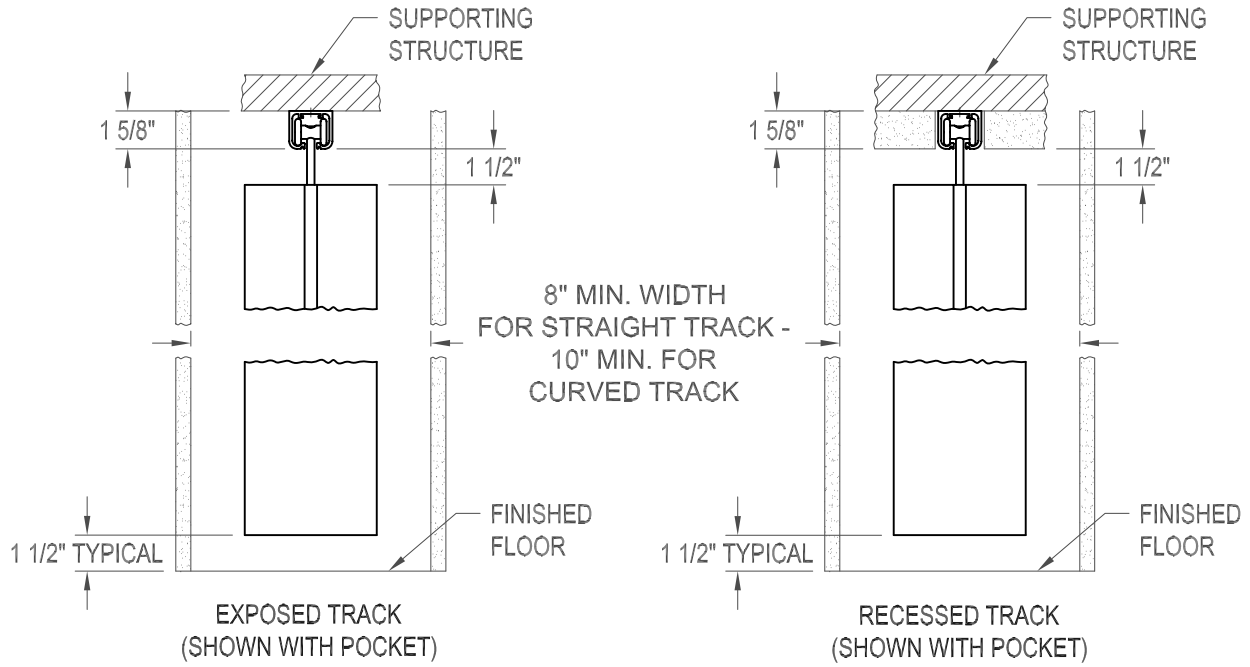


BI-PARTING CLOSURE  
STRAIGHT TRACK

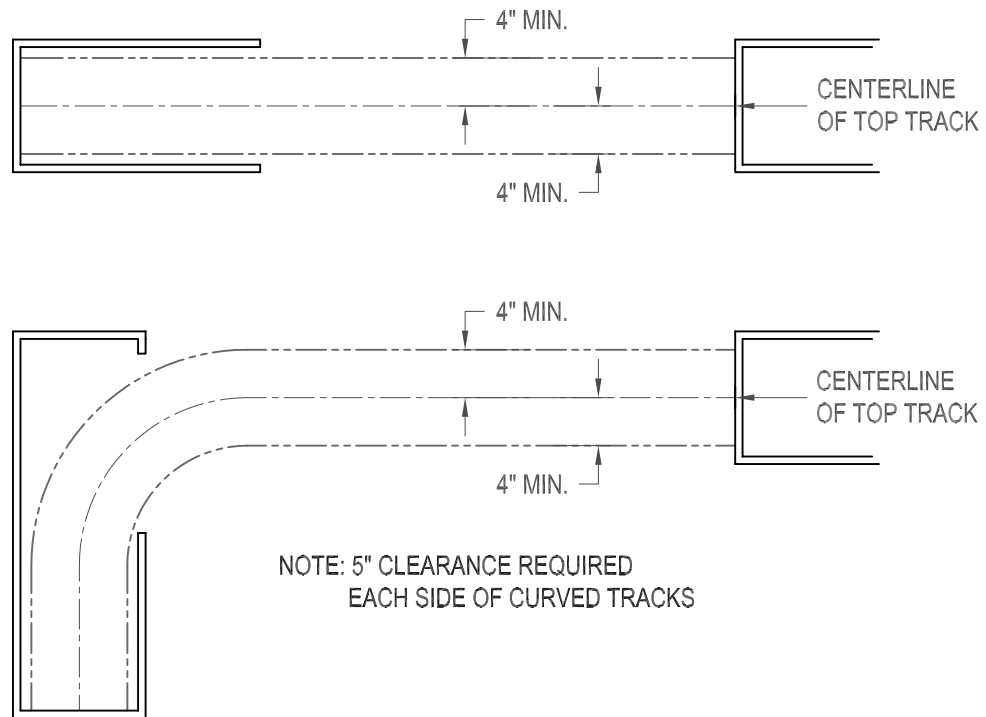


CURVED TRACK  
(14" RADIUS STANDARD)

TYPICAL CONFIGURATIONS

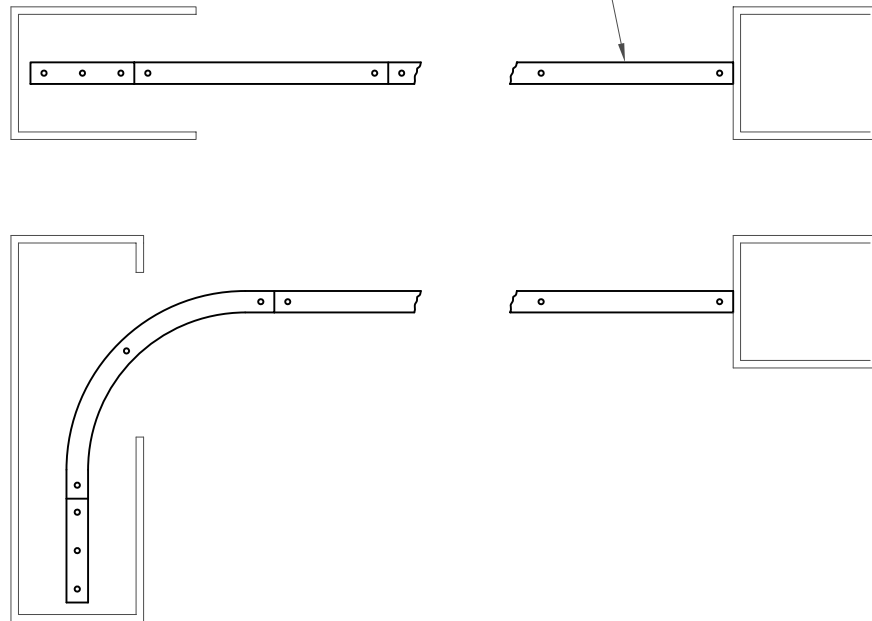


TYPICAL MOUNTING CONDITIONS



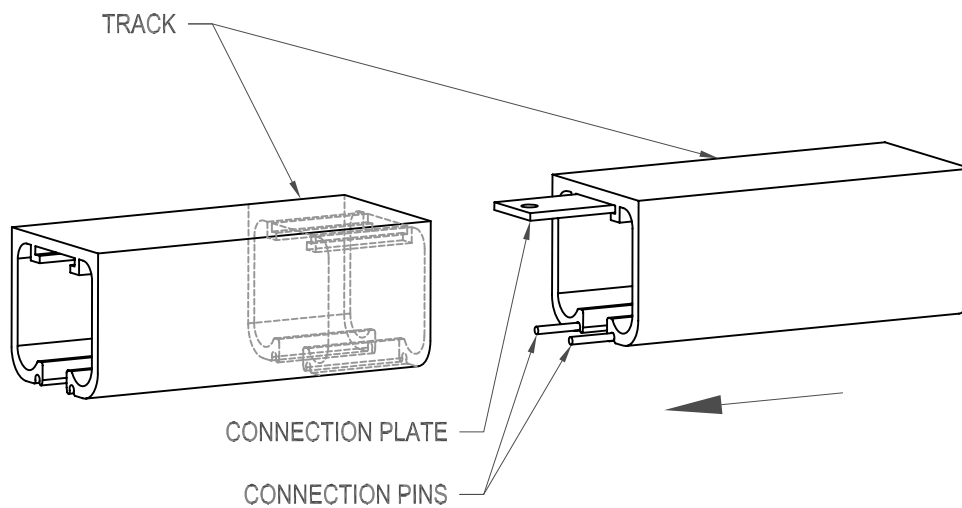
TYPICAL CLEARANCES

LAYOUT - BUT DO NOT INSTALL - LAST STRAIGHT TRACK SECTION UNTIL CURTAIN IS LOADED

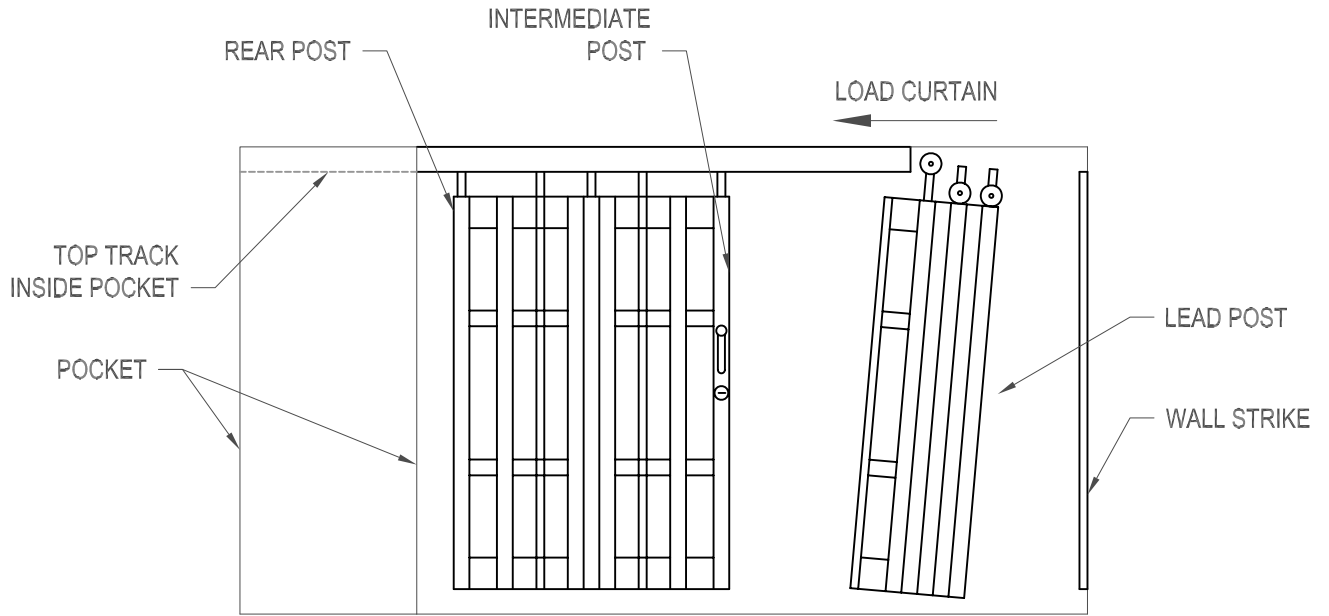


TOP TRACK

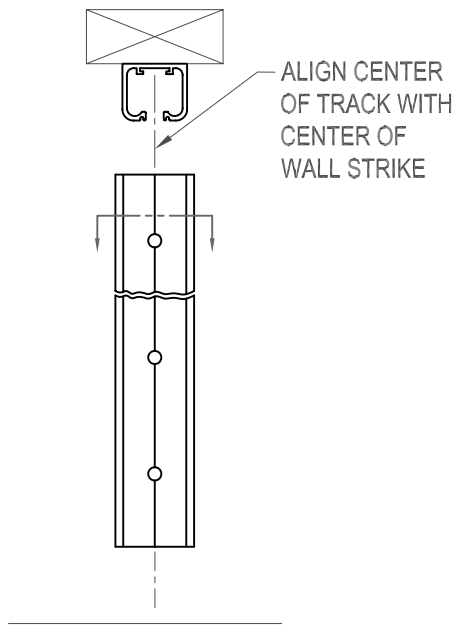
---



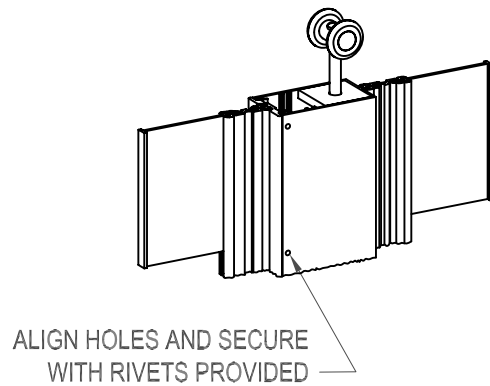
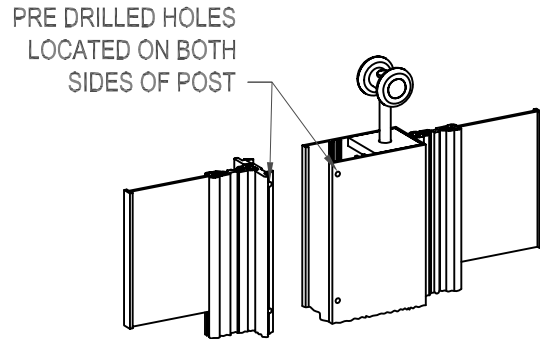
TRACK CONNECTION



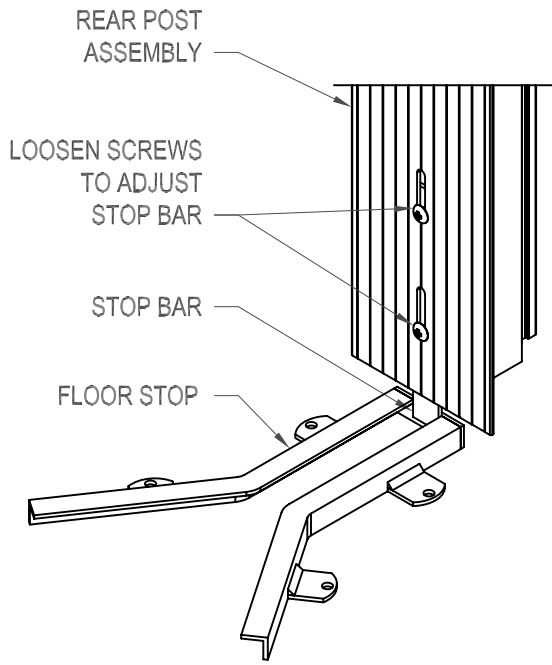
LOADING THE CURTAIN



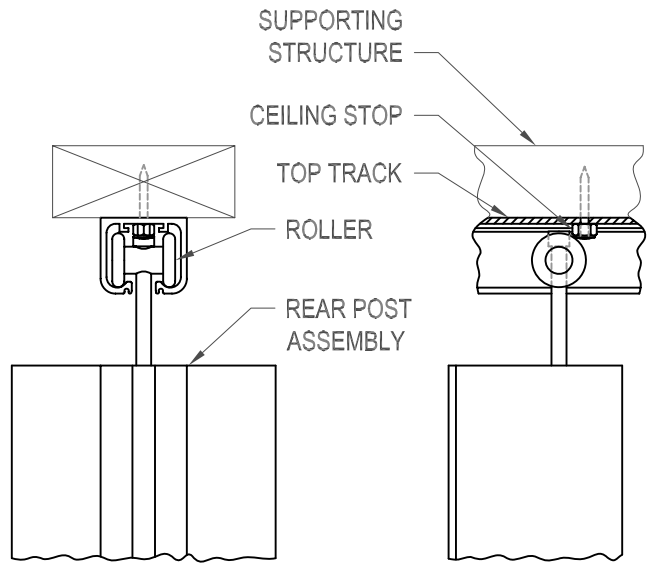
WALL STRIKE



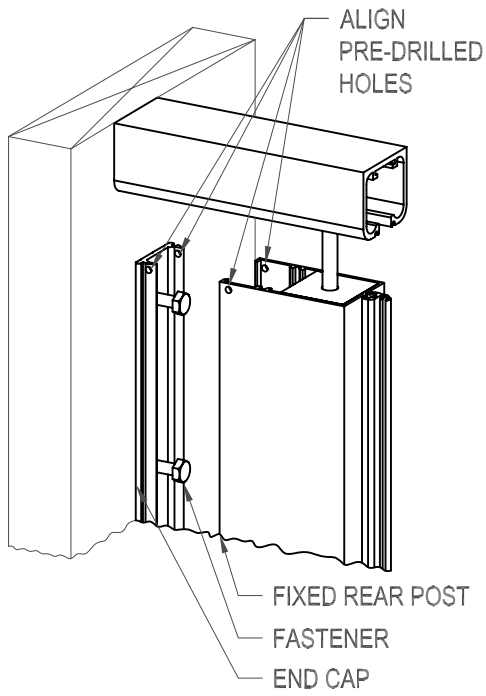
INTERMEDIATE POST



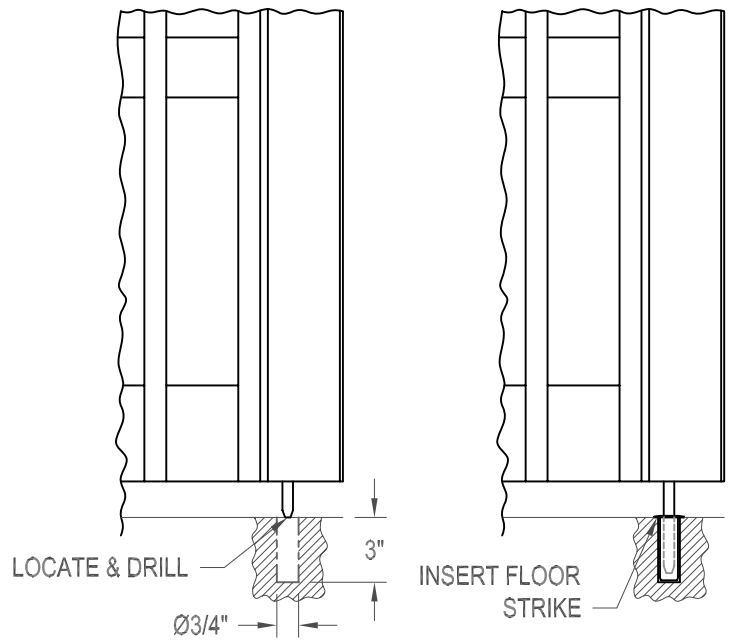
TAILING REAR POST



CEILING STOP



FIXED REAR POST



FLOOR STRIKE